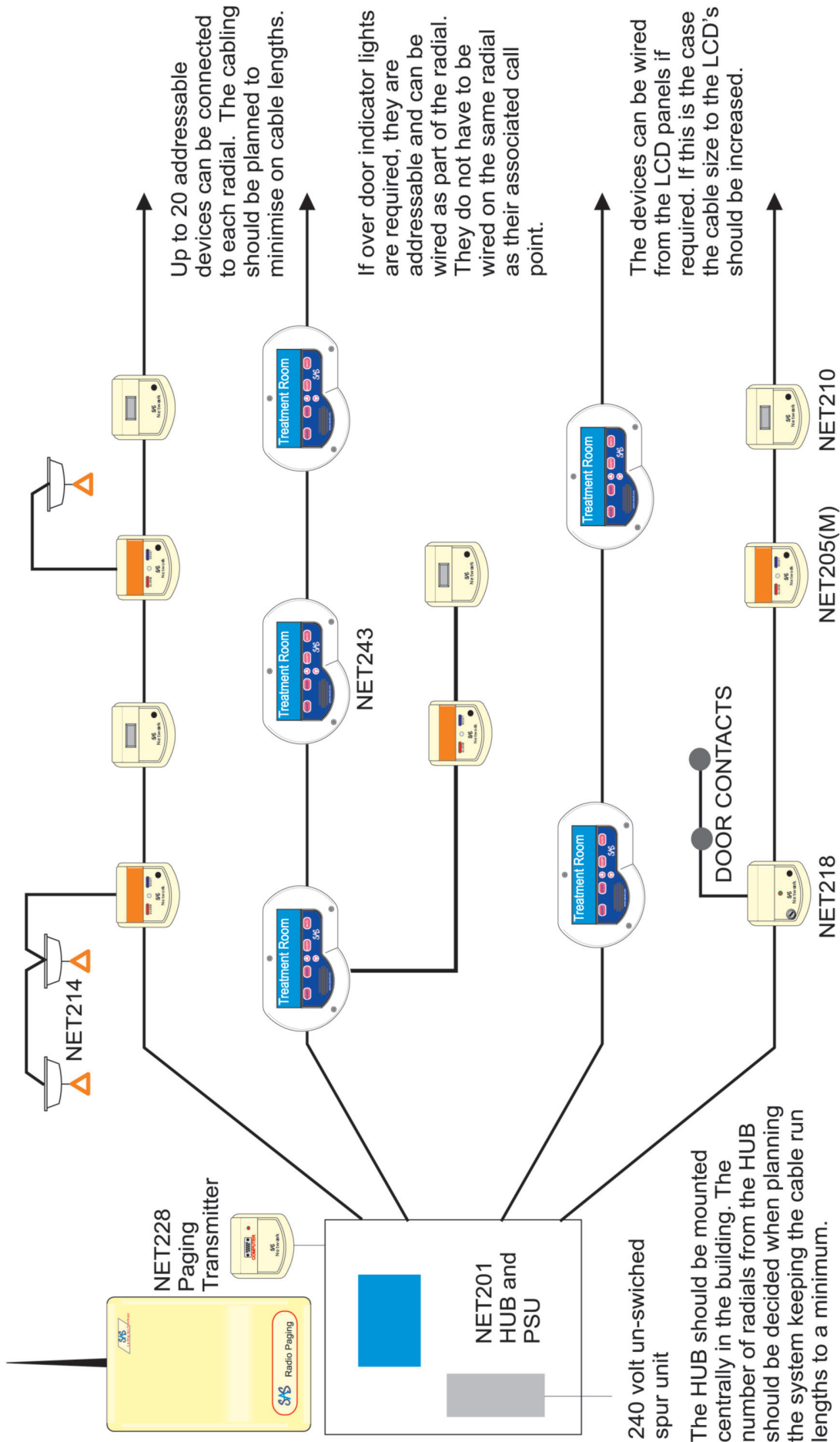


SAS NURSE CALL SCHEMATIC



240 volt un-switched spur unit

The HUB should be mounted centrally in the building. The number of radials from the HUB should be decided when planning the system keeping the cable run lengths to a minimum.

Cable sizes and type:
 LCD panel wiring - 4 pair
 If wiring radials from the panels increase to 6 pair
 Call points etc. 3 pair
 Recommend CW1308 or CW1600 twisted pair cable

Typical wiring diagram only - call for further details